

2D-Tower Vibration Sensor KS22-U



DMT Sensor KS22-U

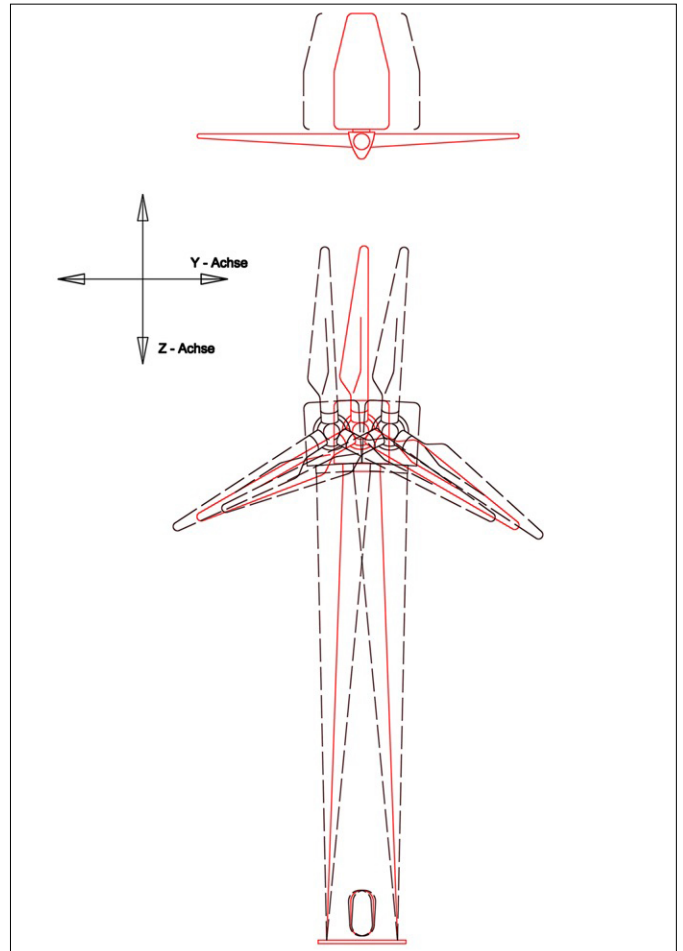
The sensor measures the vibrations of the wind turbine tower. The purpose of the measurement is to monitor and record the operating conditions.

The KS22-U which is integrated into the control system signals:

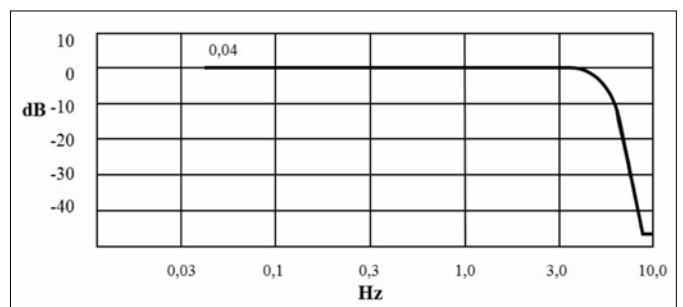
- Tower vibrations
- Blade resonances
- Unbalances
- Overstressing

Measured-value acquisition:

- 2 axes simultaneously
- Vibration acceleration



Vibration of a Wind Turbine Tower



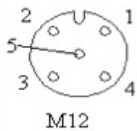
Frequency response KS22-U

Technical Data

Measuring axes	2	x/y
Sensor constant	1	V/m/s ²
Measuring range	± 3	m/s ²
Supply consumption	18-26 (temporarily 30)	Volt DC
Power consumption	10	mA
Frequency range	0,01 ... 5	Hz
Attenuation at 10 Hz	>20	dB
Chebyshev filter (fourth order)	0,5	dB ripple
Analog output / Zero position	5 ±0,1	V
Output range	5 ± 3	V
Setting time	30 ±	seconds
Weight (without cable)	282	gram
Connection Type: Connector SACC-E-M12MS-5CON-PG9/0,5	Axial 1671111	Phoenix
Temperature range	-40° ... / +65°	°C
Degree of protection	66	IP
Output resistance	100	Ω
Dimensions	see drawing	
Housing material	V2A high-grade steel	

Pin assignment

Sensor - Actuator - Connector

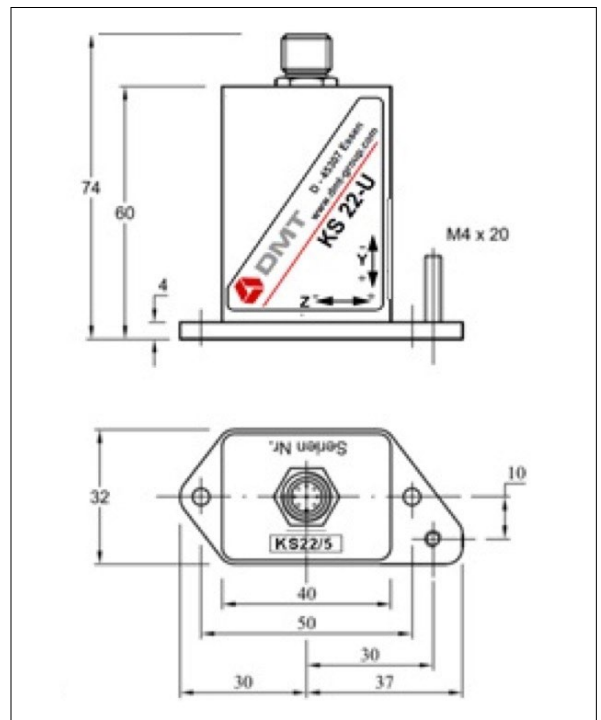


Pin 1 = brown - +24V DC
 Pin 2 = white - Acceleration signal Z
 Pin 3 = blue - GND
 Pin 4 = black - Acceleration signal Y
 Pin 5 = grey - NC

Note:

Subjecting the sensor housing to mechanical stress can lead to malfunctions and invalidate the warranty.

Do not drop the sensor and protect from severe impact, static charge and overload.



Dimension drawing: We reserve the right to make changes in the interest of technical development.

DMT GmbH & Co. KG

Machine Diagnosis &
Geoinstruments

Am TÜV 1
45307 Essen, Germany

T +49 201 172-1441

F +49 201 172-1693

products@dm-t-group.com
dm-t-group.com

Disposal information:

Our products are subject to the WEEE directive.

DMT has committed itself to take back all electrical and electronic components sold and to dispose of them professionally.

Please contact: products@dm-t-group.com

WEEE Registration Number: **DE 25917380**



DIN EN ISO 9001
DIN EN ISO 14001
DIN ISO 45001