

## 2D-Tower Vibration Sensor KS22-Ig

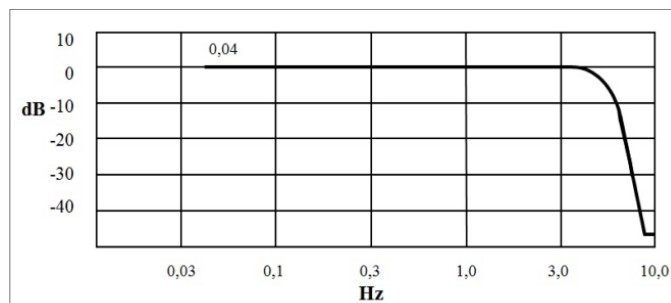
The sensor measures the vibrations of the wind turbine tower. The purpose of the measurement is to monitor and record the operating conditions.

### The KS22-Ig which is integrated into the control system signals:

- Tower vibrations
- Blade resonances
- Unbalances
- Overstressing

### Measured-value acquisition:

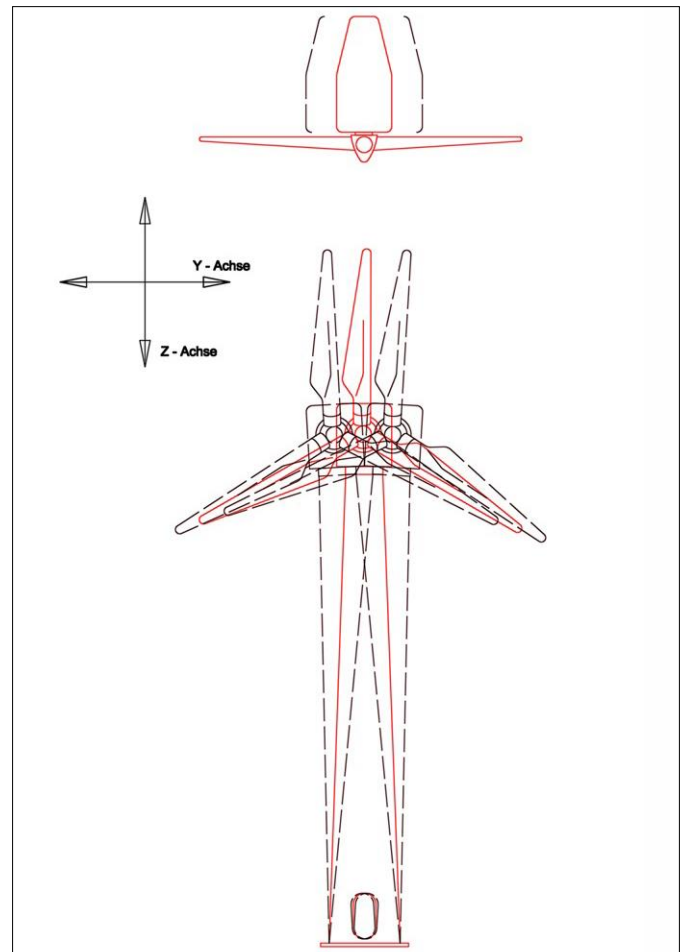
- 2 axes simultaneously
- Vibration acceleration
- Output signal: current
- Separate ground connection



Frequency response KS22-Ig



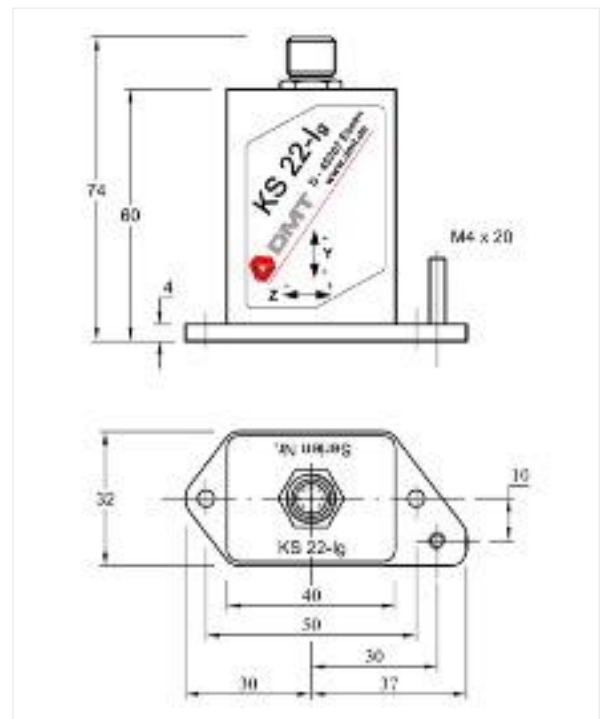
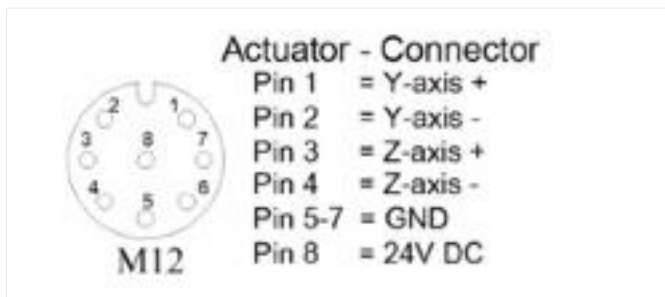
DMT Sensor KS22-Ig



Vibration of a Wind Turbine Tower

## Technical Data

Measuring axes	2	y/z
Sensor constant	1,6	mA/(m/s <sup>2</sup> )
Measuring range	± 5	m/s <sup>2</sup>
Supply consumption	20-30 (temporarily 33)	Volt DC
Power consumption	<80	mA
Frequency range	0,01 ... 5	Hz
Attenuation at 10 Hz	>20	dB
Chebyshev filter ( fourth order)	0,5	dB ripple
Analog output / Zero position	12 ± 0,05	mA
Output range	4 ... 20	mA
Setting time	30 ±	seconds
Weight (without cable)	282	gram
Connection	Axial	
Type: Connector SACC-E-M12MS-8CON-PG9/0,5	1554571	Phoenix
Temperature range	-40° ... / +65°	°C
Degree of protection	66	IP
Output resistance	500	Ω
Dimensions	See drawing	
Housing material	V2A high-grade steel	



Dimension drawing: We reserve the right to make changes in the interest of technical development

### Note:

Subjecting the sensor housing to mechanical stress can lead to malfunctions and invalidate the warranty. Do not drop the sensor and protect from severe impact, static charge and overload.

**DMT GmbH & Co. KG**  
 Machine Diagnosis &  
 Geoinstruments  
 Am TÜV 1  
 45307 Essen, Germany  
 T +49 201 172-1441  
 E [products@dm-t-group.com](mailto:products@dm-t-group.com)  
[dm-t-group.com](http://dm-t-group.com)

Disposal information: :  
 Our products are subject to the WEEE directive. DMT has committed itself to take back all electrical and electronic components sold and to dispose of them professionally. Please contact: [products@dm-t-group.com](mailto:products@dm-t-group.com)

WEEE Registration Number: **DE 25917380**



DIN EN ISO 9001  
 DIN EN ISO 14001  
 DIN ISO 45001

